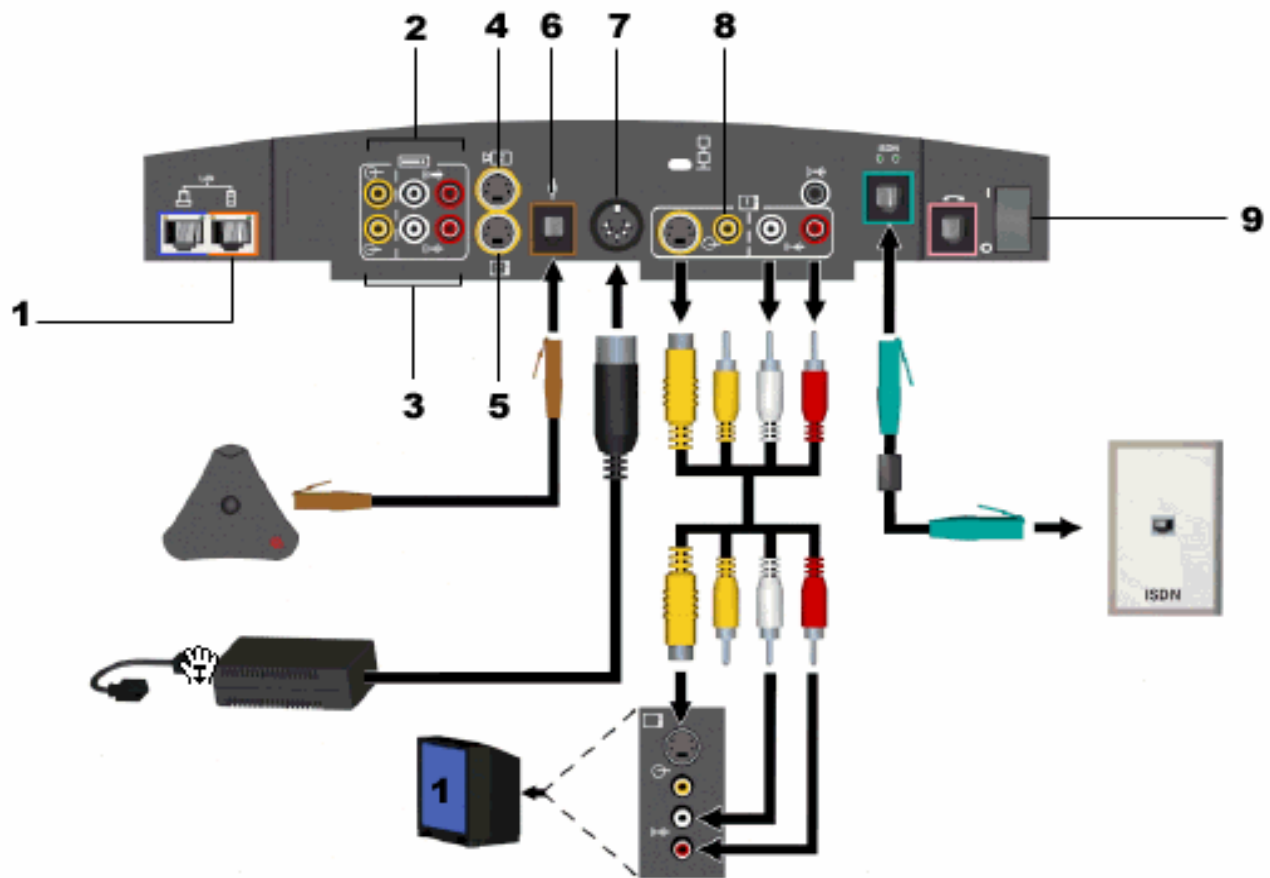
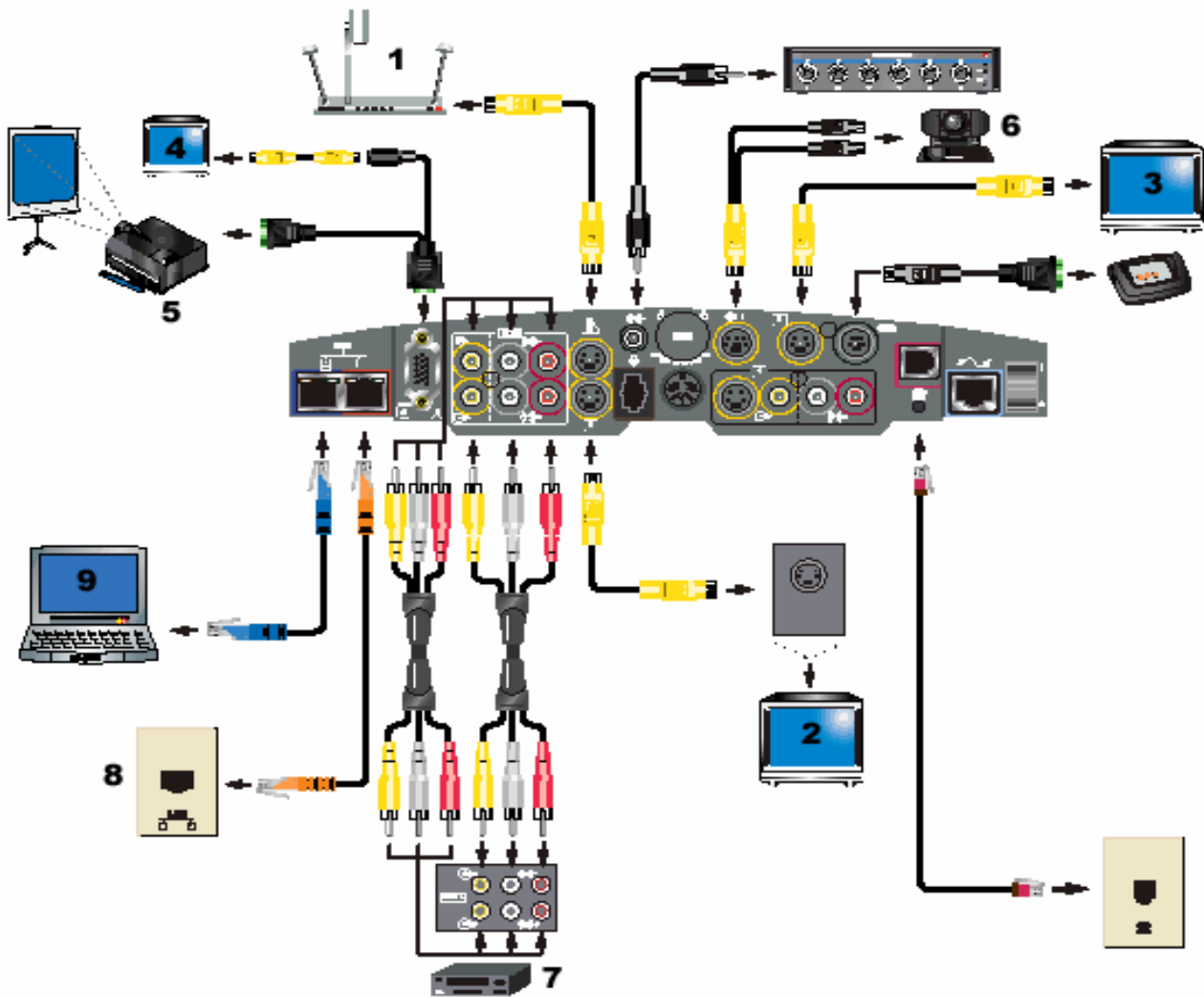


Polycom Viewstation Camera Connections (Standard)



1. Network Connection
2. Input FROM the VCR
3. Input TO the VCR
4. Document Imager or Scan Converter
5. Second Monitor
6. Microphone Plug-in
7. Power Connection
8. Video & Audio to Main Monitor
9. Power ON/OFF Switch

Polycom Viewstation Camera Connections (Optional)



1. Document camera
2. Second monitor
3. Third monitor
4. Fourth monitor
5. LCD projector
6. Second VC camera
7. VCR
8. Network
9. Laptop

Polycom VSX 5000 Camera Connections

VSX 5000 Back Panel

